

VARIABLE SPEED MOTOR PULLEY ASSEMBLY

MOTOR VARI-PULLEY ASSEMBLY

Consists of:

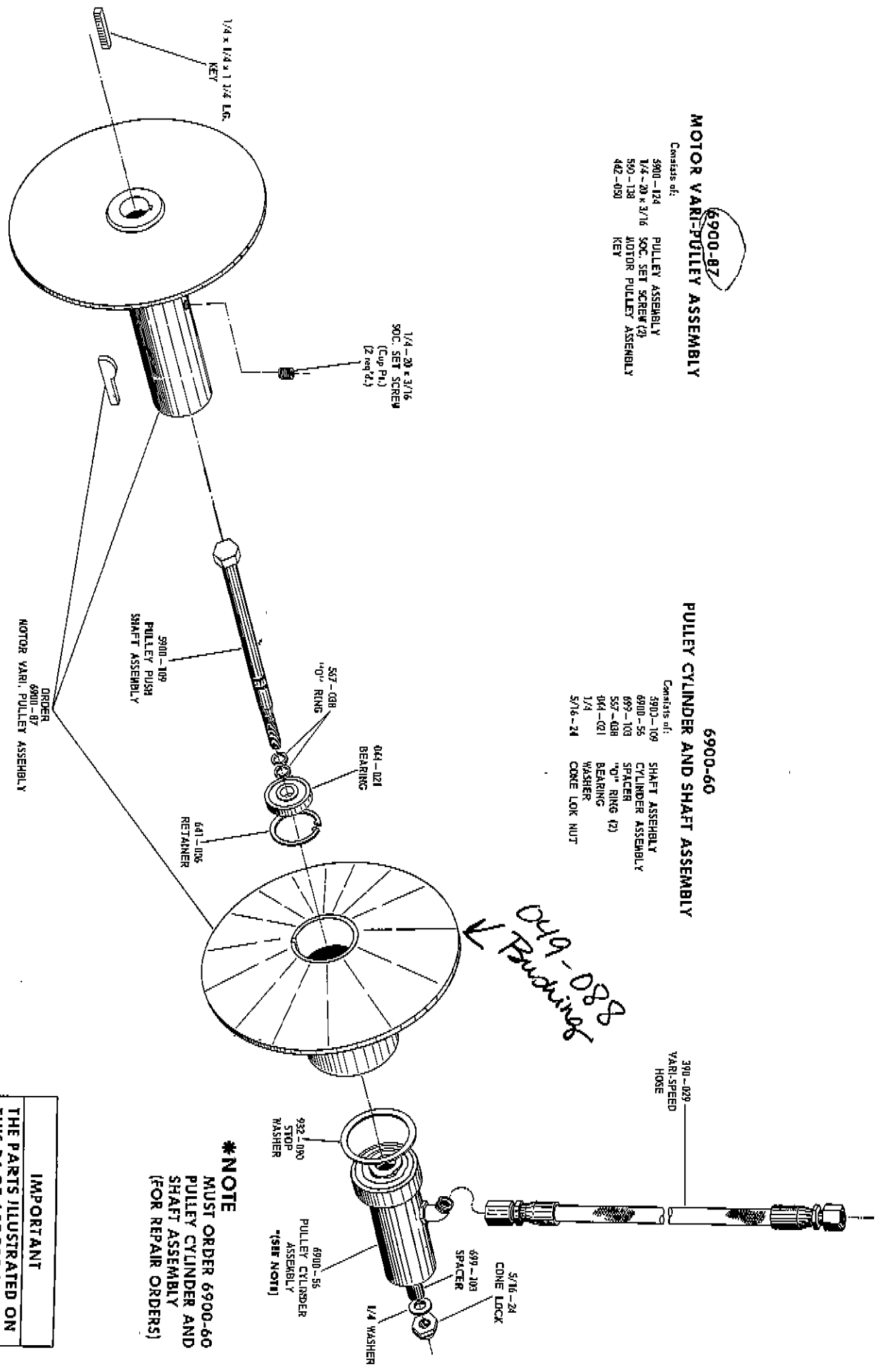
- 5900-124 PULLEY ASSEMBLY
- 1/4-20 x 3/16 SOC. SET SCREW (2)
- 590-138 MOTOR PULLEY ASSEMBLY
- 442-090 KEY

6900-87

PULLEY CYLINDER AND SHAFT ASSEMBLY

Consists of:

- 5900-109 SHAFT ASSEMBLY
- 6900-55 CYLINDER ASSEMBLY
- 699-103 SPACER
- 557-088 1/4" RING (2)
- 041-021 BEARING
- 1/4" WASHER
- 576-24 CONE LOCK NUT



***NOTE**
 MUST ORDER 6900-60
 PULLEY CYLINDER AND
 SHAFT ASSEMBLY
 (FOR REPAIR ORDERS)

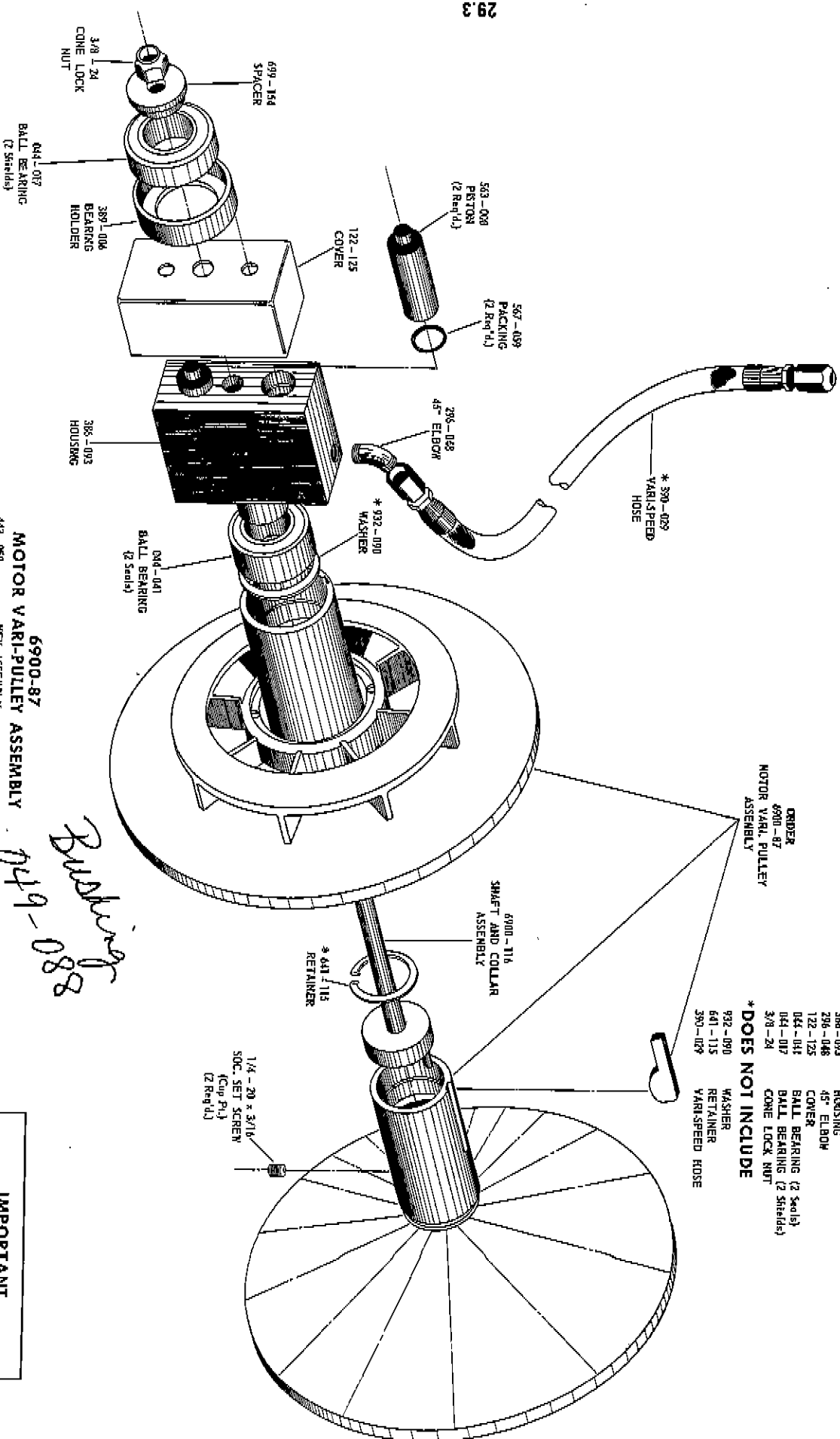
IMPORTANT
 THE PARTS ILLUSTRATED ON
 THIS PAGE ARE FOR LATHES
 SERIAL NUMBERS FROM
 600200 TO 602227

VARIABLE SPEED MOTOR PULLEY ASSEMBLY 6900-1002

6900-717 CYLINDER AND SHAFT ASSEMBLY

Consists of:

- 6900-116 SHAFT AND COLLAR ASSEMBLY
 - 699-154 SPACER
 - 567-009 PACKING (2)
 - 563-008 PISTON (2)
 - 389-006 BEARING HOLDER
 - 386-003 HOUSING
 - 296-048 45° ELBOW
 - 122-125 COVER
 - 044-017 BALL BEARING (2 Shields)
 - 044-017 BALL BEARING (2 Shields)
 - 378-24 CONE LOCK NUT
- * DOES NOT INCLUDE**
- 932-090 WASHER
 - 641-115 RETAINER
 - 390-029 VARIABLE SPEED HOSE



- 6900-87 MOTOR VARI-PULLEY ASSEMBLY
- 442-060 KEY ASSEMBLY
- 540-138 STATIONARY MOTOR PULLEY
- 5900-124 SLIDING MOTOR PULLEY ASSEMBLY
- 174-20 x 3/16 SOC. SET SCREW (2)

IMPORTANT

THE PARTS ILLUSTRATED ON THIS PAGE ARE FOR LATHES SERIAL NUMBERS FROM 602228 TO